

Magnetic End Effector

85kg pneumatic

An end effector that, when integrated in Quick-Lift System™, meets the highest standards of ergonomics, working environment, safety and efficiency.

Unique integrated mechanical, electrical, pneumatic swivel enables continuous rotation of the end effector.

Easy to use, thanks to outstanding responsiveness, regardless of load weight.

Exceptional safety is achieved using our intelligent control systems.

High cost efficiency through high reliability and long durability.

A strong solution for quick and easy handling.



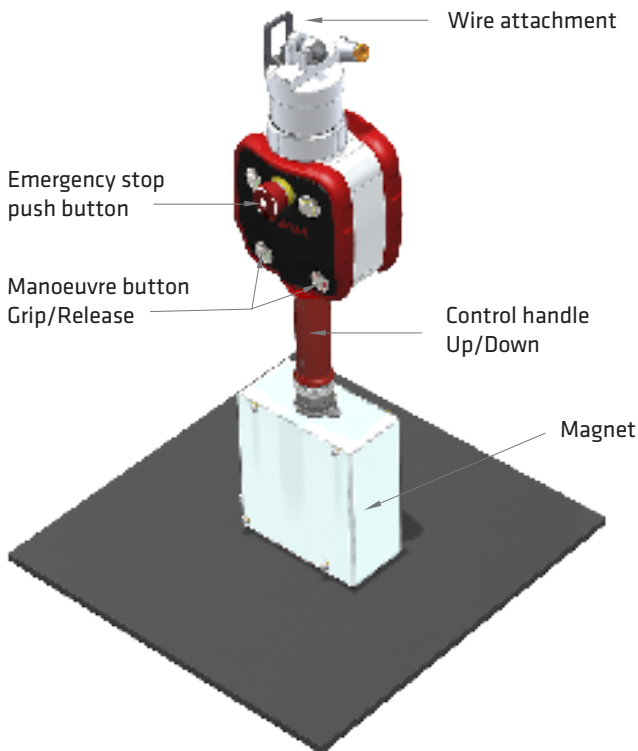
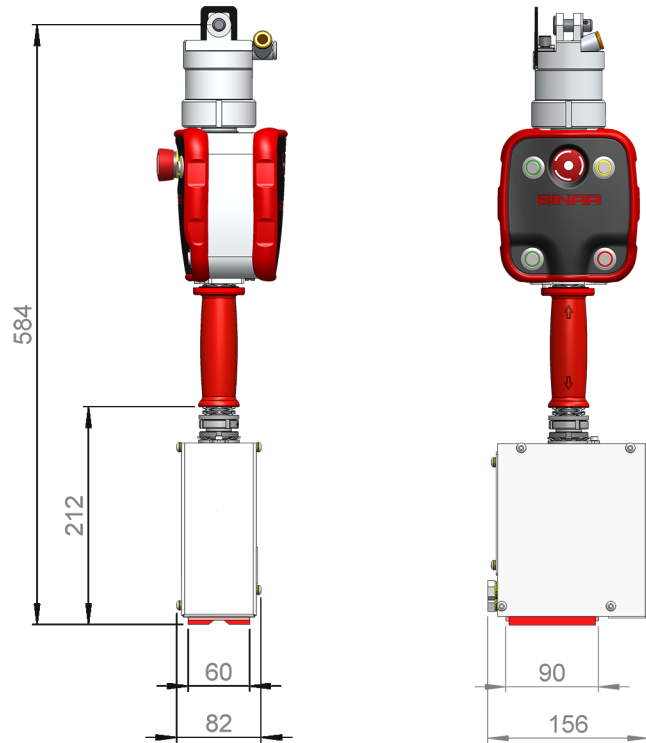
BINAR

Improving your productivity

Magnetic End Effector

85 kg pneumatic

The figures are to be seen as indications and will vary depending on lifting objects.



TECHNICAL DATA MAGNETIC END EFFECTOR 85KG

Lifting Capacity	Maximum lifting capacity varies depending on lifting object shape <i>Note: The lifting capacity is reduced if the lifting objects center of gravity is eccentric</i>	
Steel plate	Thickness ≥ 15 mm	85 kg
	Thickness 10 mm	70 kg
	<i>Note: For steel plates <15 mm magnetism can occur underneath the plate.</i>	
Round steel	\varnothing 50-150 mm, Maximum length 1000 mm Maximum weight 45 kg	
Temperature	Maximum temperature on lifting object 50° C.	
Product weight	11 kg / 24 lbs	
Air supply	Clean dry air, filtered, pressure 6,0-8,0 Bar	
Safety	3x safety has to be tested on each lifting object	

Binar Quick-Lift Systems AB disclaims responsibility for any errors or incomplete information in the published material and reserves the right to make changes.

Binar Quick-Lift Systems AB

Box 2014 • SE-461 11 TROLLHÄTTAN • Sweden
 telephone: +46 (0)520 47 40 00 • e-mail: info.quicklift@binar.se
 www.binarquicklift.com

2020-02-17 EN 3.0

BINAR
Improving your productivity