

Options

To optimize the usage of our handling and lifting equipment for your needs.

We have in this document gathered all the options available for our products.

If you have any questions, do not hesitate to contact us.

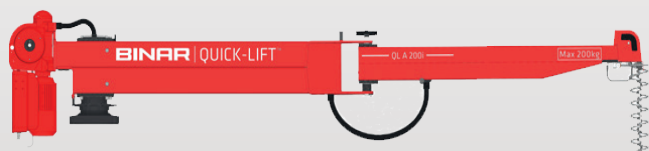
Available options for our products:

Manipulator Arm, Rail System, Control Box and End Effector

Manipulator Arm

Quick-Lift Arm 50i/100i/ 200i/ 300i

To make the products suitable for your production site, our Quick-Lift Arm, the pillar and the floor plate are available in colours that deviate from the standard colour.



QUICK-LIFT ARM 50i/100i/200i/300i	Part no.
Different Color of Arm and Motor unit, that deviates from the standard. RAL code required	70006
Different Color of Pillars, that deviates from the standard	70002
Floor Plate	000494
Different Color of Floor plate, that deviates from the standard RAL code required	70005

Middle link for QLA 50i/100i/200i/300i

By adding a Middle link between the inner and outer QLA the outer arm can be folded in along the inner arm to a parallel position. The Arm length is extended with 200mm.
Not possible to add to QLAT.

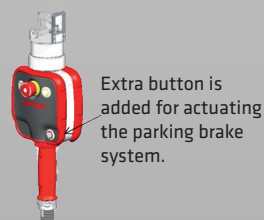
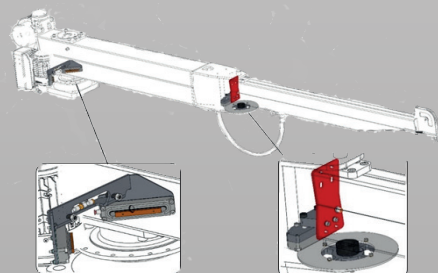


MIDDLE LINK FOR QLA	Part no.	Weight
QLA 50i Arm length 3 m	013673	7 Kg
QLA 100i Arm length 3 m	013675	8 Kg
Arm length 4 & 5 m	013677-1	10 Kg
QLA 200i Arm length 3 m	013677-2	11 Kg
Arm length 4 & 5 m	013679	15 Kg
QLA 300i Arm length 3 & 4 m	013679	15 Kg

Parking Brake for QLA 50i/100i/200i/300i

A pneumatic parking brake can be ordered as an option to a QLA. The brake consist of two units, the inner and the outer brake.
Inner brake; Brake calliper's are added and the existing end stop disk is used.
For the outer brake there is an extra disc and a brake calliper added.

Not sold separately - Only together with new arm. The brake function is activated by a button in the handle.



Extra button is added for actuating the parking brake system.

PARKING BRAKE FOR QLA	Part no.	QLA	Weight
Pneumatic brake for arm	013795	50i 3 m	6,0 kg
Pneumatic brake for arm	013796	100i 3 m	6,6 kg
Pneumatic brake for arm	013797	100i 4m & 5m 200i 3m	6,9 kg

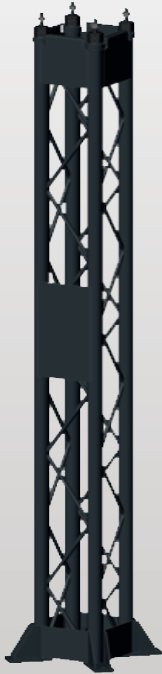
Binar Quick-Lift Systems AB disclaims responsibility for any errors or incomplete information in the published material and reserves the right to make changes.

Binar Quick-Lift Systems AB

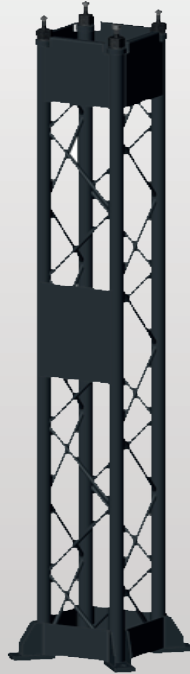
Box 2014 • SE-461 11 TROLLHÄTTAN • Sweden
ph +46 (0)520 47 40 00 • e-mail info@binar.se
web www.binarquicklift.com

BINAR
Improving your productivity

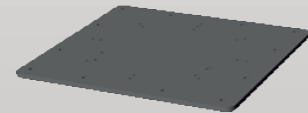
Manipulator Arm



Pillar Part no. 013811 (Standard)
Pillar Part no. 013812 (Optional length)
 4 pcs M20 adjustment screws included
 Requires floor thickness of >160 mm.
 Requires concrete quality C20/25
 Anchor bolts not included



Pillar Part no. 013814 (Standard)
Pillar Part no. 013815 (Optional length)
 4 pcs M20 adjustment screws included
 Requires floor thickness of >200 mm.
 Requires concrete quality C20/25
 Anchor bolts not included



Floor plate Part no. 000494
 Dimension 800 x 800 mm,
 thickness 30 mm
 To use when floor thickness or quality
 is less then required.

Arm Attachments & Pillars	Part no.	Weight
Standard pillar For QLA 50i, all 100i and 200i 3 meters	013811	113 Kg
Optional height of pillar. Length between 1500 - 5000 mm. Delta weight For QLA 50i, all 100i and 200i 3 meters	013812	+/- 28 kg/m
Standard pillar For all QLA 200i except 3 meters and all 300i	013814	121 kg
Optional height of pillar. Length between 1500 - 5000 mm. Delta weight For all QLA 200i except 3 meters and all 300i	013815	+/- 29 kg/m
Floor plate	000494	150 kg
Color of pillars that deviates from the standard RAL code required, additional cost to specified pillar	70002	
Color of floor plate that deviates from the standard RAL code required, additional cost to part no. 000494	70005	

Binar Quick-Lift Systems AB

Box 2014 • SE-461 11 TROLLHÄTTAN • Sweden
 ph +46 (0)520 47 40 00 • e-mail info@binar.se
 web www.binarquicklift.com

BINAR
Improving your productivity

Rail System

Pneumatic Brake Systems

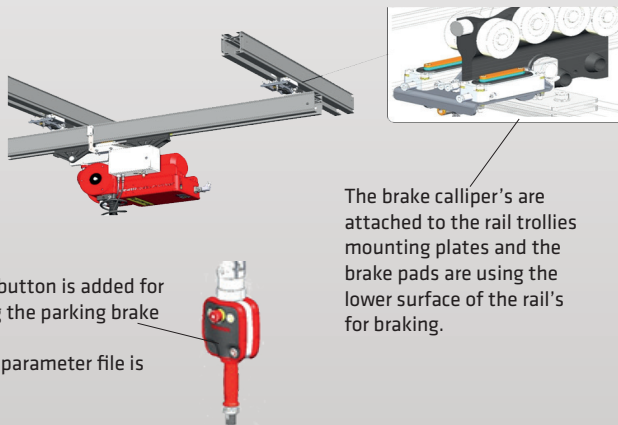
Parking Brake for QLR 125i

A pneumatic parking brake system can be added to the QLR 125i system. The brake is designed to work with eepos rail system.

The brake consist of three units, two at the fixed beams, X-direction, and one at moving beam, Y-direction, together with a pneumatic control unit.

The stop / brake function is activated by an button in the handle.

All three brakes are added to the mounting brackets. A special mounting bracket for the with Ø 20mm holes is used for QLR



An extra button is added for actuating the parking brake system. A special parameter file is required.

The brake calliper's are attached to the rail trolleys mounting plates and the brake pads are using the lower surface of the rail's for braking.

PNEUMATIC BRAKE SYSTEM FOR QLR 125i

Part no.

Pneumatic brake
QLA 125i

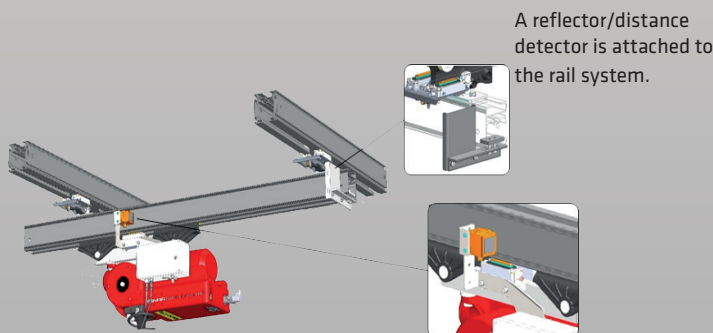
011645

Stop and Go

A pneumatic Stop and Go brake system can be added to the QLR 125i system. The Stop and Go system is ideally used for reduction of the moving mass. The brake system is designed to work with eepos rail system.

The system consist of three brake units, two at the fixed rails in X-direction, one at moving rail in Y-direction and a pneumatic control box.

The stop function is activated by a Laser that detects a specific position in Y-direction. The activated stop time can be programmed in iLab 2. All three brake units are added to special mounting brackets and also a special mounting bracket is used for the QLR motor unit with Ø 20mm holes.



A reflector/distance detector is attached to the rail system.

"A Laser beam distance sensor is attached to a special mounting bracket along with a control box for the pneumatics."

STOP AND GO SYSTEM	Part no.	Other	Weight
Brake, three position parking brake system actuated by a button.	013318	Only for QLR 125i	4,3 Kg
Brake, three position stop system actuated by a Laser positioning system.	013316	Only for QLR 125i	5,0 Kg

Binar Quick-Lift Systems AB

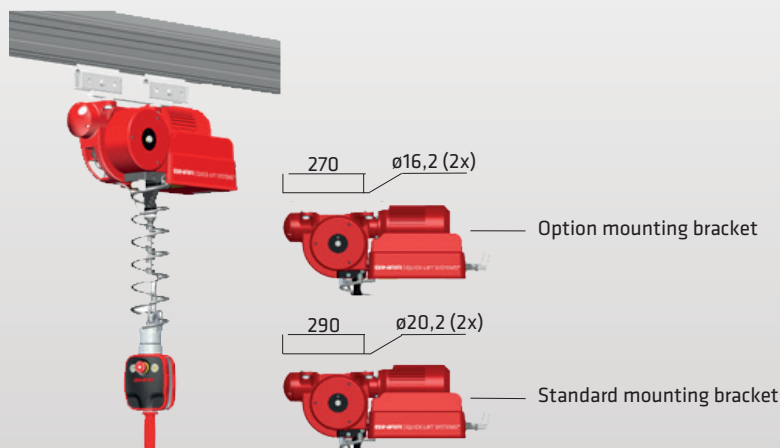
Box 2014 • SE-461 11 TROLLHÄTTAN • Sweden
ph +46 (0)520 47 40 00 • e-mail info@binar.se
web www.binarquicklift.com

BINAR
Improving your productivity

Rail System

Mounting Bracket for QLR 125i

Mounting Bracket for QLR 125i	Part no.
Standard mounting bracket for pin. Diameter 20 mm.	
Option Mounting bracket for pin. diameter 16 mm.	011544
Color of Motor unit that deviates from the standard. RAL code required	70007



Quick-Lift Rail Torque QLRT & Quick-Lift Driven 125i/300i

The solution includes adaptation of the QLR 125i with a vertical torque arm and torque trolley, torque attachment and a horizontal frame are also needed to be added at Binar Quick-Lift Systems AB.

It is recommended to add a pneumatic brake/stop system. Several possible options and function are available. The brake/stop system need to be determined in cooperation with resale office and customer.



QUICK-LIFT TORQUE QLRT & QUICK-LIFT DRIVEN 125i/300i

A brake system is available as option and is recommended. The brake system need's to be determined in corporation with customer.

Color of Motor unit that deviates from the standard. RAL code required	70007
---	-------

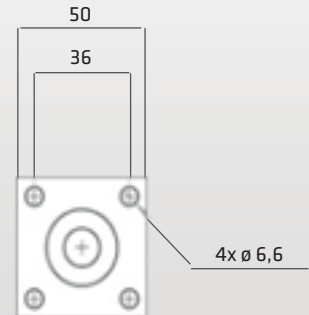
Binar Quick-Lift Systems AB

Box 2014 • SE-461 11 TROLLHÄTTAN • Sweden
ph +46 (0)520 47 40 00 • e-mail info@binar.se
web www.binarquicklift.com

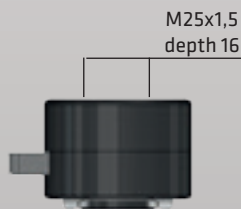
BINAR
Improving your productivity

Control Box

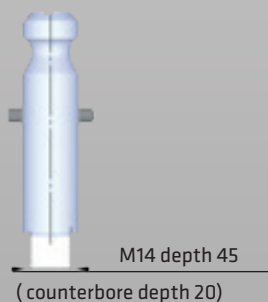
Flanges for connecting grippers to Load Cell boxes	Part no.	Weight
Flange for gripper screw connection, zinc plated MF6S 10.9 M16x60. Max shaft \varnothing 35 mm	013281-1	0,4 Kg
Flange for gripper weld connection, untreated. Max shaft \varnothing 25 mm	013281-2	0,4 Kg



End Effector



Accessories & Adaptors	Part no.	Weight
For loads up to 300 kg / 660 lbs To be attached to the handle threads.		
Quick-coupling	012903	1,3 kg



Accessories & Adaptors	Part no.	Weight
For loads up to 300 kg / 660 lbs To be used when the customer want to use the Quick-coupling function to a gripper for easy change. This part shall be attached/mounted to the gripper. With M14 threads		
Quick-coupling Pin	013411	0,2 Kg

Binar Quick-Lift Systems AB

Box 2014 • SE-461 11 TROLLHÄTTAN • Sweden
ph +46 (0)520 47 40 00 • e-mail info@binar.se
web www.binarquicklift.com

BINAR
Improving your productivity

End Effector



Accessories & Adaptors	Part no.	Weight
------------------------	----------	--------

For loads up to 125 kg / 275 lbs
To use when the customer has an old gripper with an M12 fitting and wants to change to a new handle, but still use the old gripper. The adapter is positioned between new handle and old gripper, see measures below.

Adapter for old gripper in new handle	013304	0,2 Kg
---------------------------------------	--------	--------



Accessories & Adaptors	Part no.	Weight
------------------------	----------	--------

For loads up to 300 kg / 660 lbs
To be used when the customer has a Vacuum Handle, part no. 012843, and wants to use a Quick-coupling to the gripper. The adapter is attached to the handle threads.
The vacuum hose is pulled out through the adapter, see measures below.

Adapter with hole for Air hose for gripper in new handle	013817	0,3 Kg
--	--------	--------

Binar Quick-Lift Systems AB disclaims responsibility for any errors or incomplete information in the published material and reserves the right to make changes.

Binar Quick-Lift Systems AB

Box 2014 • SE-461 11 TROLLHÄTTAN • Sweden
ph +46 (0)520 47 40 00 • e-mail info@binar.se
web www.binarquicklift.com

BINAR
Improving your productivity